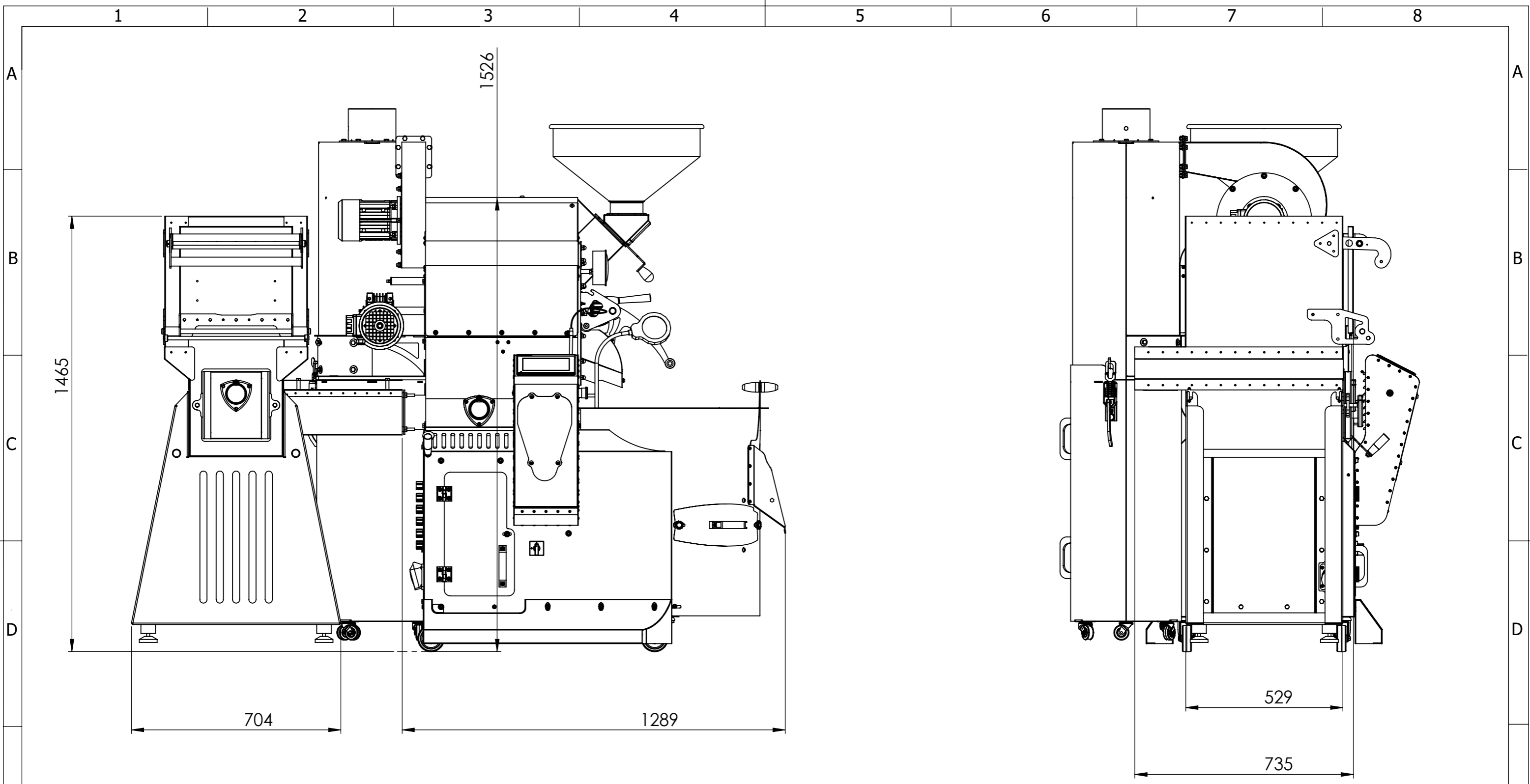
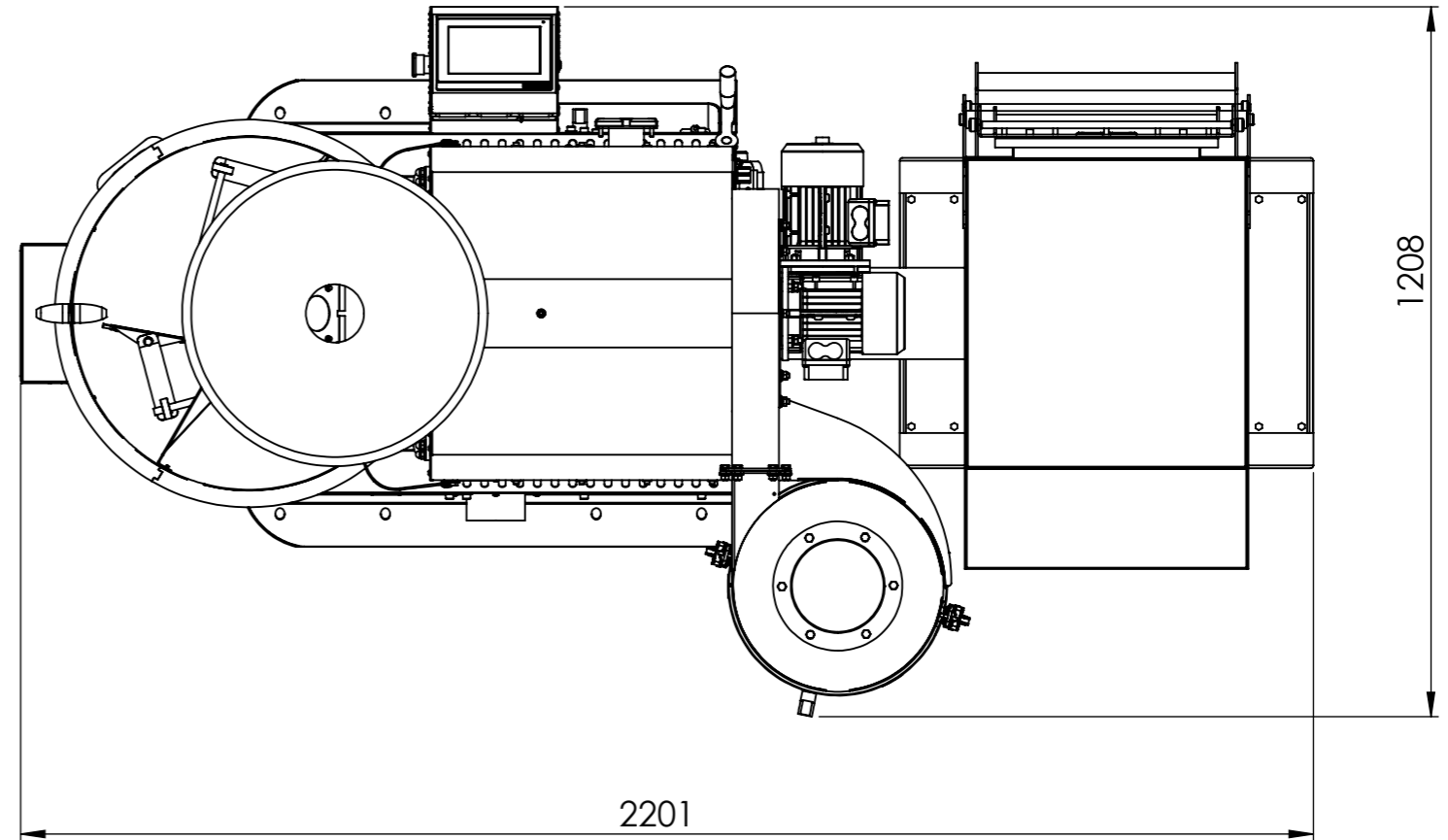
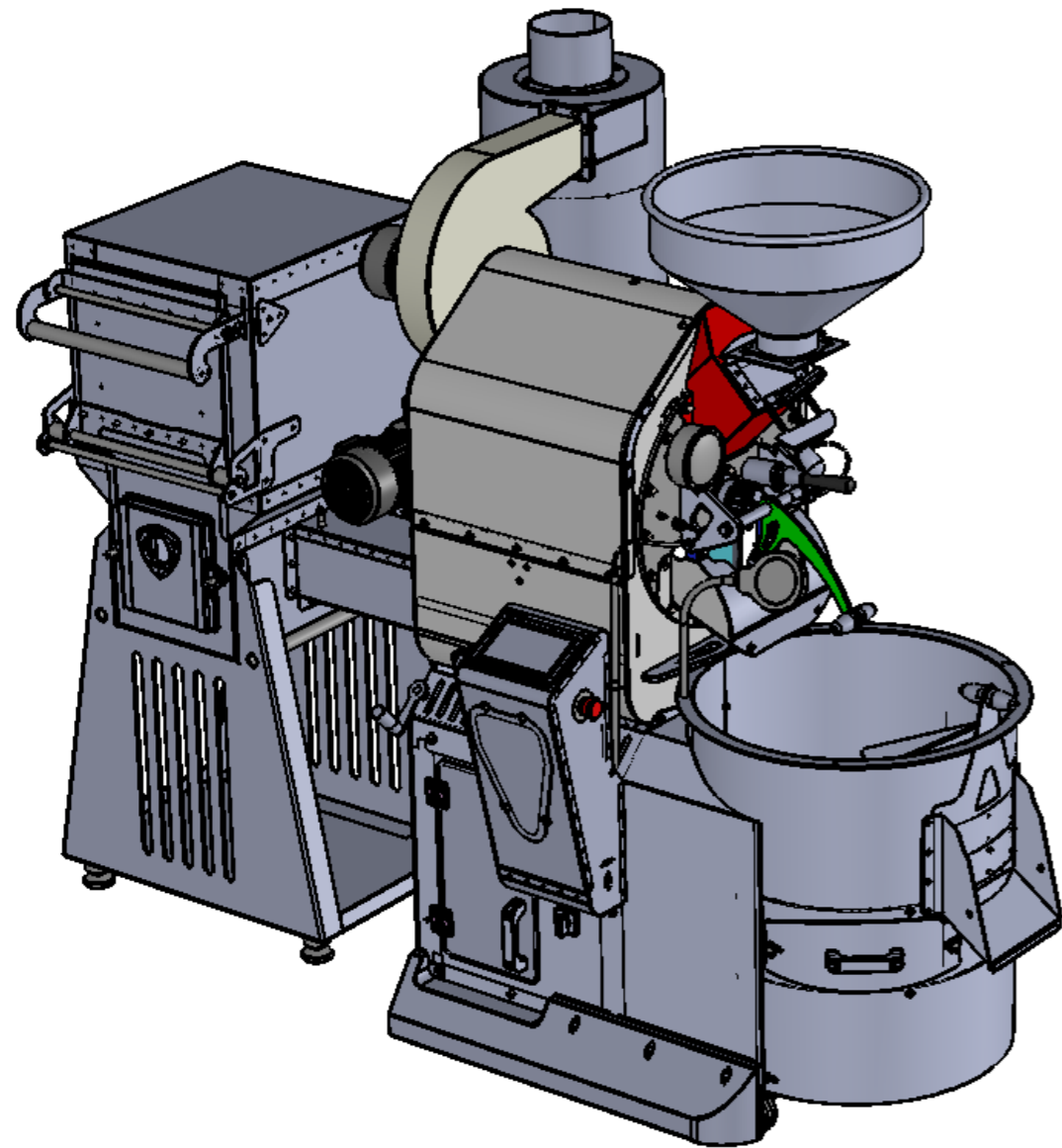


DIMENSIONS ARE IN mm			B need d, s d b g d m f h m d d q h m f k s c - meshek 29, Moshav Mazliah. ISRAEL. +972-8-9283-494	
	NAME	DATE	1300_9900_00_ghibli_15_wood_complete_assembly_rendering	
DRAWN	Saar Mitelman	18/07/2022		
DESIGN	Ram Evgi	18/07/2022		
CHECK	Ram Evgi	18/07/2022		
			A3	SHEET # 1 OUT OF 3
			SCALE:	



FINISH:		B need d, s d b g d m f h m d d q h m f k s c - meshek 29, Moshav Mazliah. ISRAEL. +972-8-9283-494	
UNLESS OTHERWISE SPECIFIED TOL. ARE: X.XX ±0.1 X.X ±0.1 X ±0.3 ANGLES ±0.8°		MATERIAL:	
DIMENSIONS ARE IN mm		DWG NO: 1300_9900_00_ghibli_15_wood_complete_assembly_rendering	
ROUGHNESS: N7 ✓ (✓) ✓		REV	
DRAWN	Saar Mitelman	18/07/2022	
DESIGN	Ram Evgi	18/07/2022	
CHECK	Ram Evgi	18/07/2022	
A3		SHEET # 2 OUT OF 3	



FINISH:		B need d, s d b g d m f h m d d q h m f k s c - meshek 29, Moshav Mazliah. ISRAEL. +972-8-9283-494	
		MATERIAL:	
UNLESS OTHERWISE SPECIFIED TOL. ARE: X.XX ±0.1 X.X ±0.1 X ±0.3 ANGLES ±0.8°		ROUGHNESS: N7 <input checked="" type="checkbox"/> <input checked="" type="checkbox"/> 1300_9900_00_ghibli_15_wood_complete_assembly_rendering	
DIMENSIONS ARE IN mm		DWG NO:	
		A3 SHEET # 3 OUT OF 3	
		REV	
		DRAWN Saar Mitelman 18/07/2022	
		DESIGN Ram Evgi 18/07/2022	
		CHECK Ram Evgi 18/07/2022	